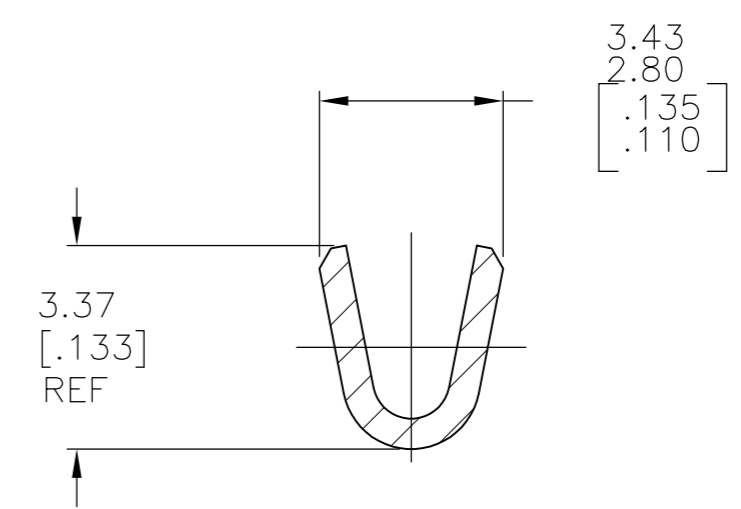
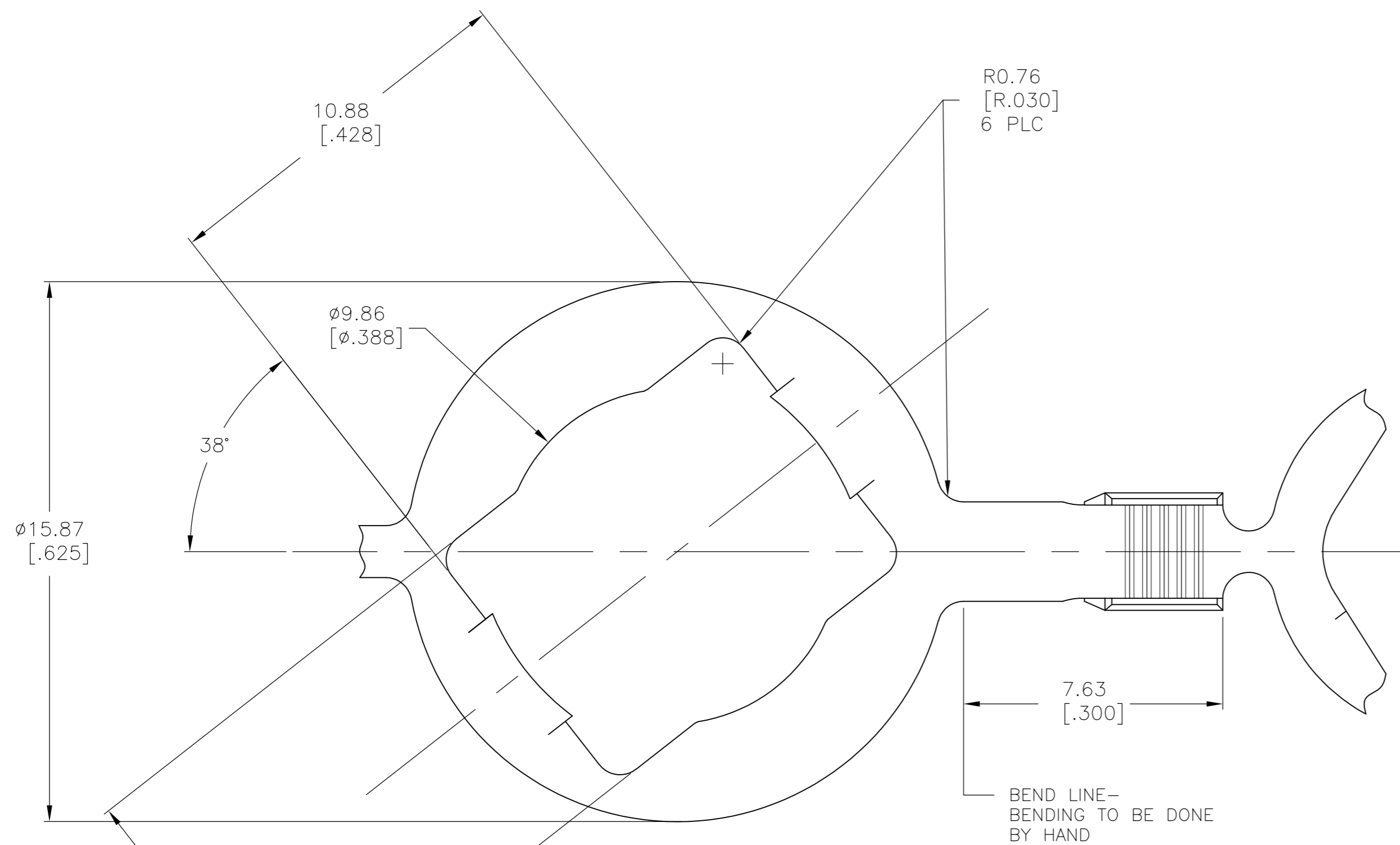
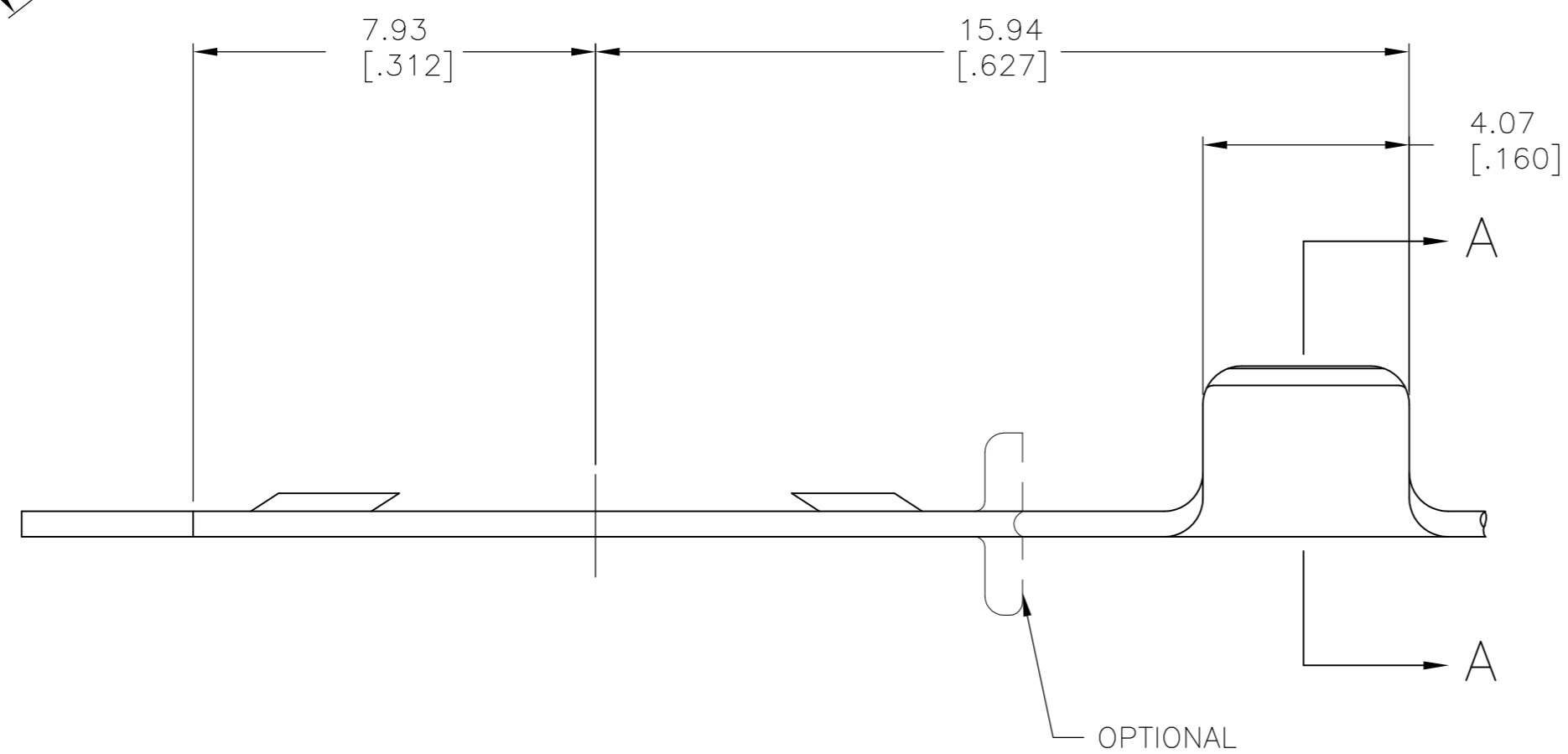


THIS DRAWING IS UNPUBLISHED. RELEASED FOR PUBLICATION
 © COPYRIGHT BY TYCO ELECTRONICS CORPORATION. ALL RIGHTS RESERVED.

LOC	DIST	REVISIONS			
P	LTR	DESCRIPTION	DATE	DWN	APVD
AF	50	C1	REVISED PER ECR-08-000270	24MAR08	HMR DD



SECTION A-A



20-16 MAGNET WIRE	505017-1
Wire range	Part Number

THIS DRAWING IS A CONTROLLED DOCUMENT.		DWN RAGHAVENDRA 24MAR2008	Tyco Electronics Corporation Harrisburg, PA 17105-3608	
DIMENSIONS: mm [INCHES]		CHK DON DECKER 24MAR2008	NAME	
TOLERANCES UNLESS OTHERWISE SPECIFIED:		APVD DON DECKER 24MAR2008	PRODUCT SPEC	
0 PLC ± -		APPLICATION SPEC		
1 PLC ± -		WEIGHT -		
2 PLC ± -		SIZE A2		
3 PLC ± .005		CAGE CODE 00779		
4 PLC ± -		DRAWING NO C=505017		
ANGLES ± 0° 30'		RESTRICTED TO -		
MATERIAL .020 BRASS	FINISH -	CUSTOMER DRAWING		
		SCALE 8:1	SHEET 1 of 1	REV C1